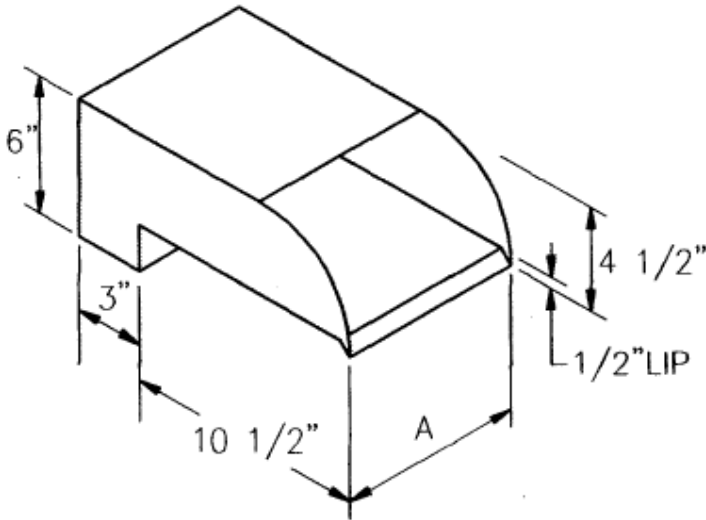


SMOOTH FLOW RADIUS SCUPPER ORDER FORM

STANDARD SIZES

1. CIRCLE DIMENSION "A"
(ALL OTHER DIMENSIONS STAY THE SAME)

A = 6" 8" 10" 12" 16" 18" 24"
36" 48" 60" 72"



2. CHOOSE A MATERIAL

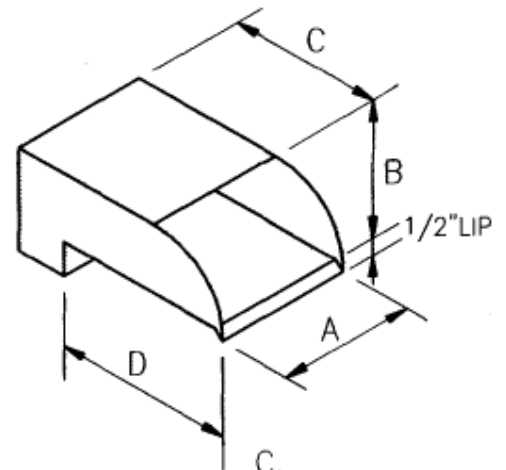
- | | |
|---|--|
| <input type="checkbox"/> COPPER | <input type="checkbox"/> TRANSLUCENT GREEN |
| <input type="checkbox"/> STAINLESS STEEL | <input type="checkbox"/> TRANSLUCENT BLUE |
| <input type="checkbox"/> HAND HAMMERED COPPER | <input type="checkbox"/> TRANSLUCENT COPPER |
| <input type="checkbox"/> TRANSLUCENT RED | <input type="checkbox"/> TRANS. BLACK CHROME |

4. QUANTITY _____

NOTE:
STANDARD INLET IS 1-1/2" FEMALE IN THE BACK

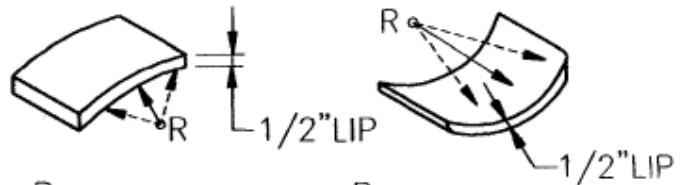
CUSTOM SIZES

OR 1. FILL IN CUSTOM DIMENSIONS



A. _____ C. _____
B. _____ D. _____
CHOOSE 5", 10" OR 14"

2. IF RADIUS, CIRCLE STYLE



R. _____ R. _____
CONCAVE RADIUS CONVEX RADIUS

3. CHOOSE A MATERIAL

- | | |
|---|--|
| <input type="checkbox"/> COPPER | <input type="checkbox"/> TRANSLUCENT GREEN |
| <input type="checkbox"/> STAINLESS STEEL | <input type="checkbox"/> TRANSLUCENT BLUE |
| <input type="checkbox"/> HAND HAMMERED COPPER | <input type="checkbox"/> TRANSLUCENT COPPER |
| <input type="checkbox"/> TRANSLUCENT RED | <input type="checkbox"/> TRANS. BLACK CHROME |

4. QUANTITY _____

5. CIRCLE INLET LOCATION: BACK BOTTOM

OFFICE USE ONLY

PART # _____ QUANTITY: _____

QUOTATION AMOUNT: _____

DATE: _____

NOTES: _____

COMPANY NAME: _____

CONTACT : _____ DATE: _____

PHONE: _____ FAX: _____

P.O. # _____ (IF PLACING AN ORDER, YOU MUST INCLUDE A COPY OF THE P.O.)

NOTES: _____